

90° HYBRID COUPLER

PLUG-IN MODEL: DQP-2-16

WIDE BANDWIDTH

2 - 32 MHz

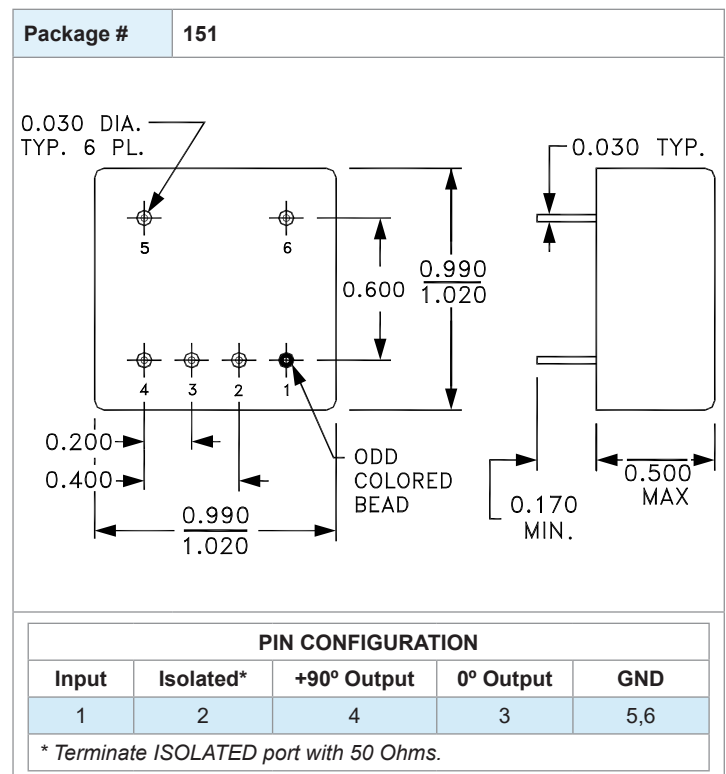
FEATURES:

- ▶ Small Package Size, Plug-In Mount
- ▶ Building Block For:
 - Power Amplifiers
 - Image Rejection Mixers
 - I & Q / SSB Modulators
 - Phase Shifters & More...



SPECIFICATIONS (Rev. A 08/05/22)

Frequency	2 - 32 MHz	
Insertion Loss (dB)	Typ.	Max.
	0.8	1.0
Amplitude Unbalance (dB)	Typ.	Max.
	--	1.0
Phase Unbalance (Deg.)	Typ.	Max.
	±3.0	±5.0
Isolation (dB)	Typ.	Min.
	23	20
Input Power	1 Watt (Max.)	
Impedance	50 Ohms (Nom.)	
VSWR	1.2:1 (Typ.)	
Operating Temperature Range	-55 to +100°C	



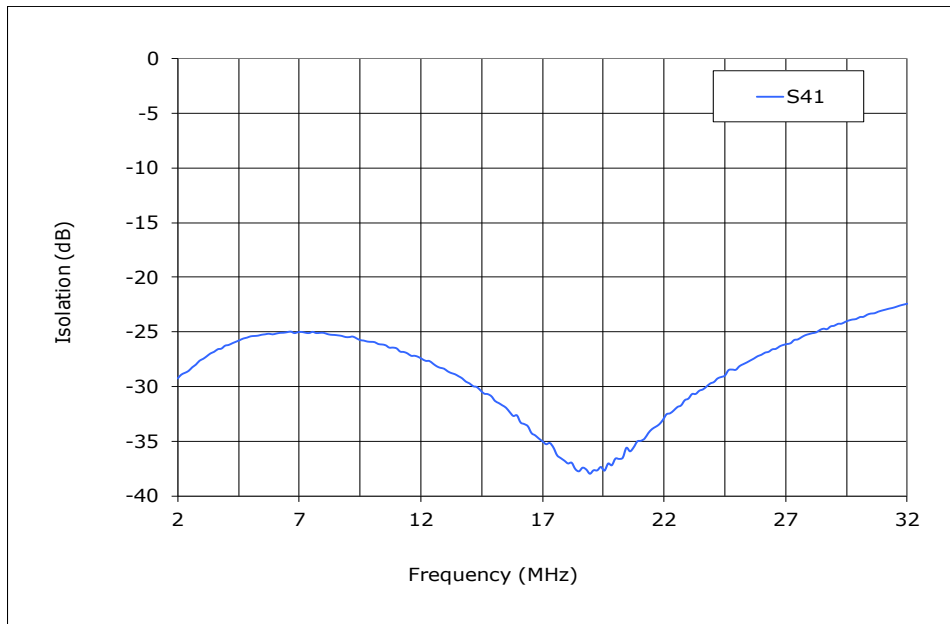
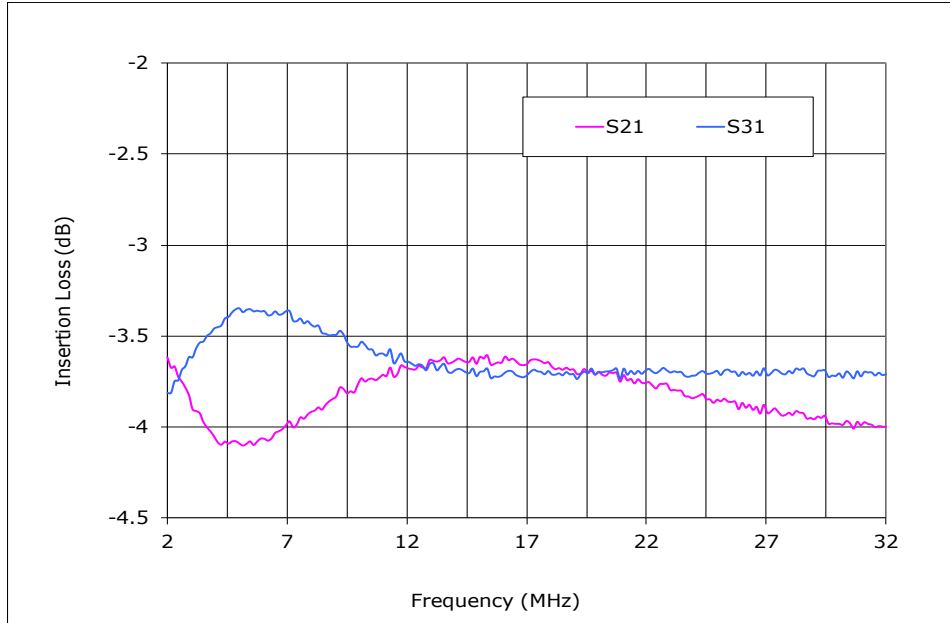
90° HYBRID COUPLER

PLUG-IN MODEL: DQP-2-16

WIDE BANDWIDTH

2 - 32 MHz

Data @ 25°C



PERFORMANCE PLOTS

90° HYBRID COUPLER

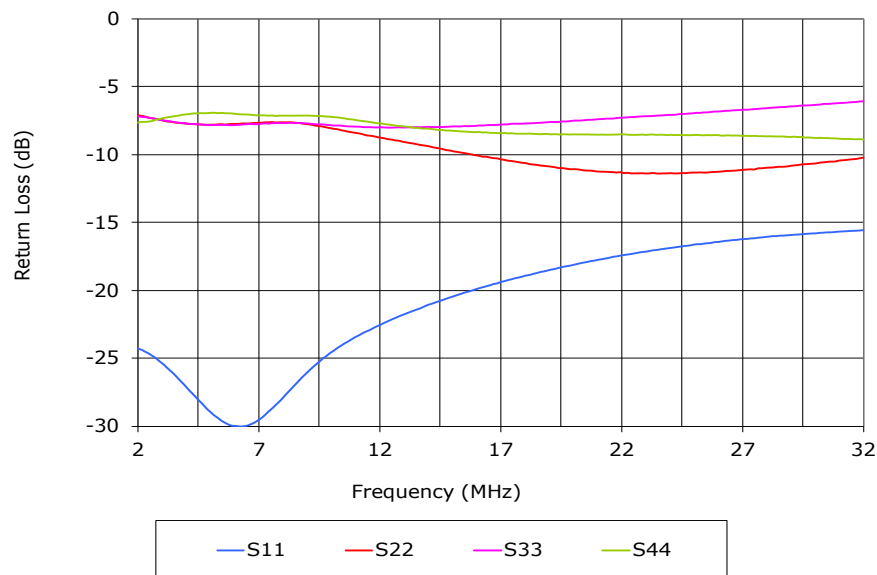
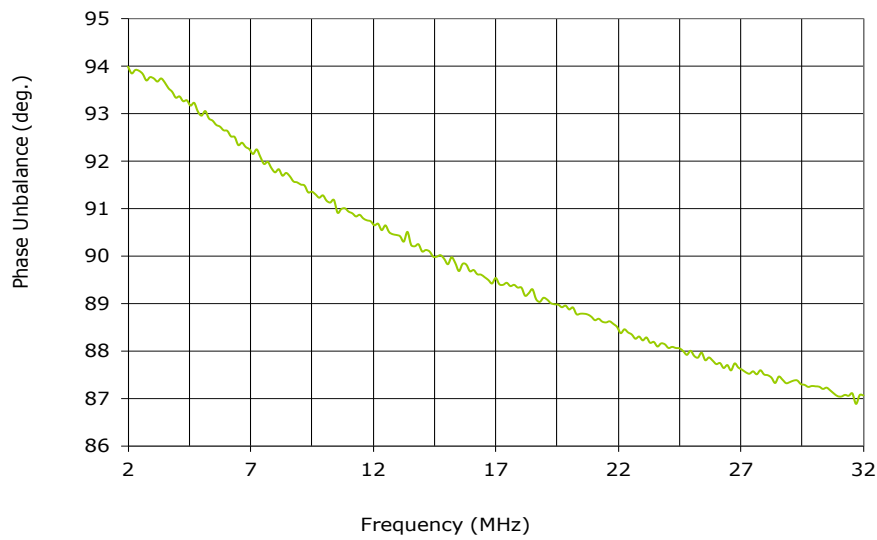
PLUG-IN MODEL: DQP-2-16

WIDE BANDWIDTH

2 - 32 MHz

Data @ 25°C

PERFORMANCE PLOTS

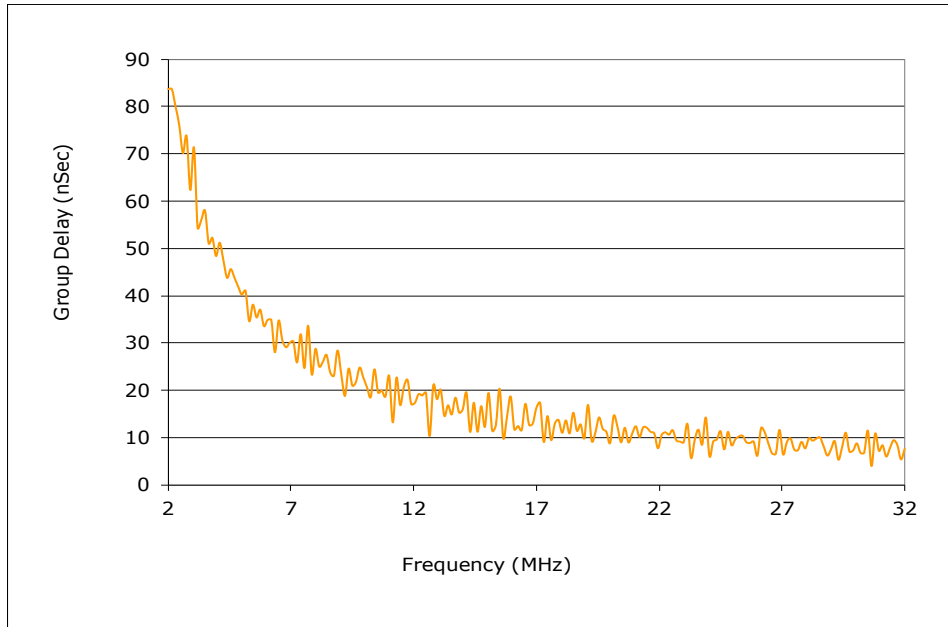


90° HYBRID COUPLER PLUG-IN MODEL: DQP-2-16

WIDE BANDWIDTH

2 - 32 MHz

Data @ 25°C



PERFORMANCE PLOTS