

3-WAY POWER DIVIDER

PLUG-IN MODEL: DCP-2B2

WIDE BANDWIDTH

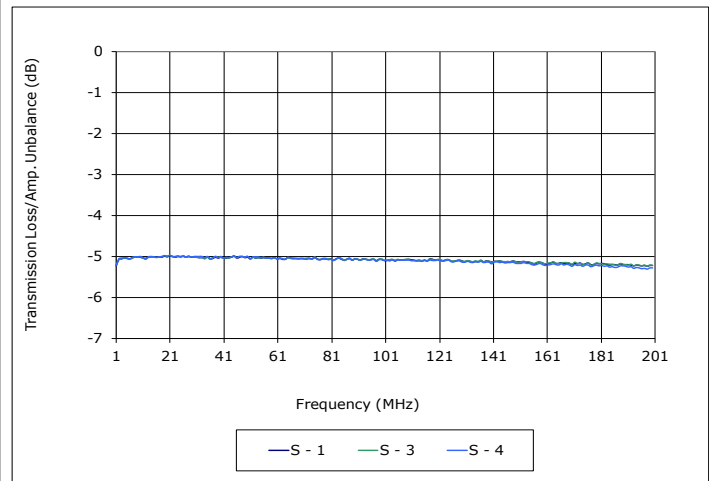
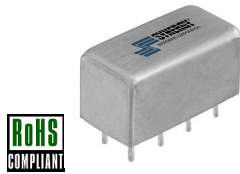
1 - 200 MHz

FEATURES:

- ▶ Excellent Performance
- ▶ Wide Bandwidth
- ▶ Moderate Power

APPLICATIONS:

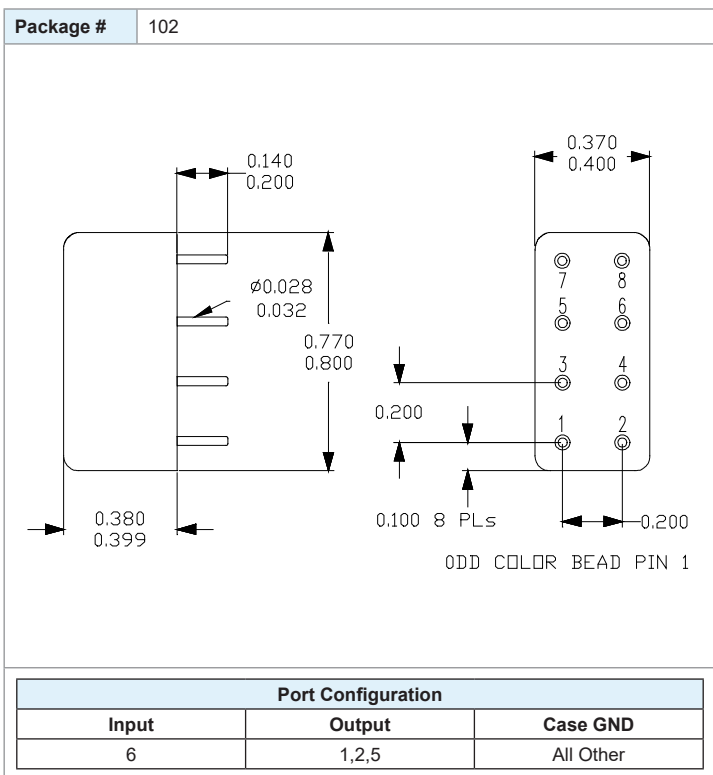
- ▶ Signal Splitting & Low Power Combining



SPECIFICATIONS (Rev. A 8/27/15)

Frequency	1 - 200 MHz		
Insertion Loss (dB) ¹	Freq. (MHz)	Typ.	Max.
	1 - 20	0.6	1.0
	20 - 100	0.4	0.7
	100 - 200	0.6	1.0
Isolation (dB)	Freq. (MHz)	Typ.	Min.
	1 - 20	45	27
	20 - 100	40	30
	100 - 200	40	25
Phase Unbalance (Deg.)	Freq. (MHz)	Max.	
	1 - 20	1	
	20 - 100	2	
	100 - 200	4	
Amplitude Unbalance (dB)	Freq. (MHz)	Max.	
	1 - 20	0.2	
	20 - 100	0.2	
	100 - 200	0.4	
Input Power ²	1 Watt (Max.)		
Impedance	50 Ohms (Nom.)		
Operating Temperature Range	-55 to +85 °C		

¹ Above 4.8 dB theoretical split loss.
² Handling power applies to splitter mode and assumes ideal 50 Ohms impedance matching on all ports.



3-WAY POWER DIVIDER

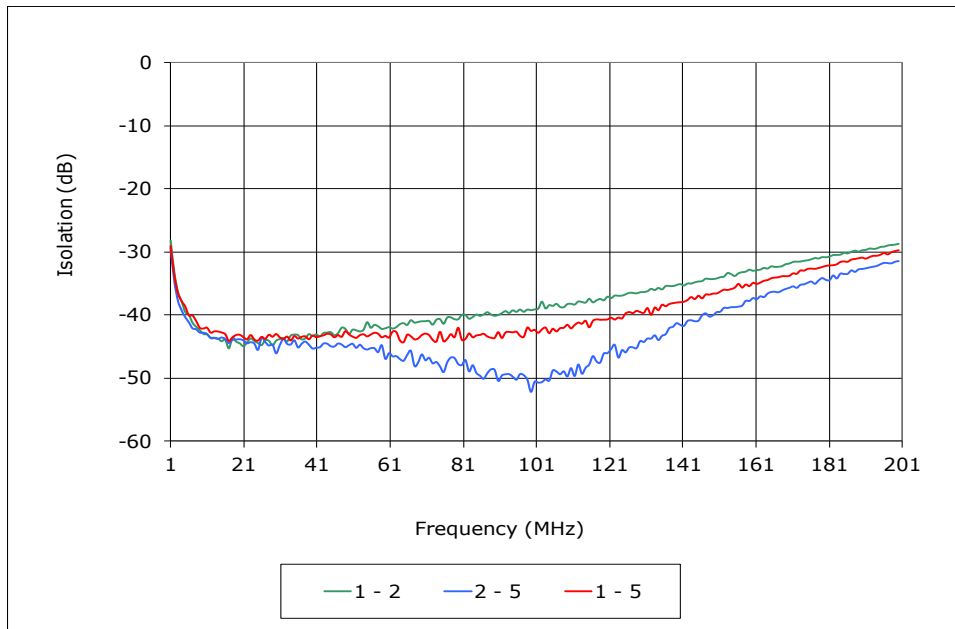
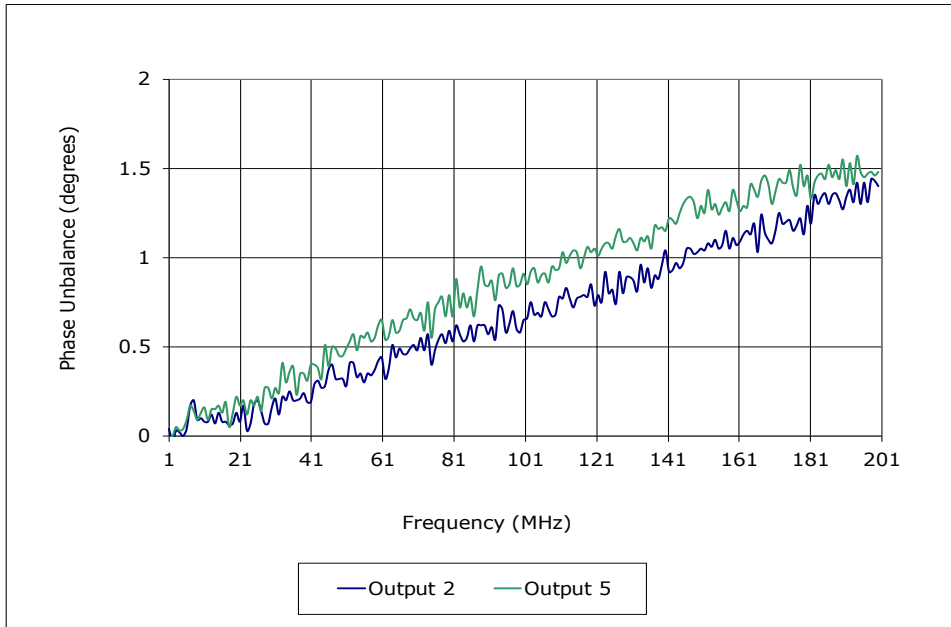
PLUG-IN MODEL: DCP-2B2

WIDE BANDWIDTH

1 - 200 MHz

Data @ 25 °C

PERFORMANCE PLOTS



3-WAY POWER DIVIDER

PLUG-IN MODEL: DCP-2B2

WIDE BANDWIDTH

1 - 200 MHz

Data @ 25 °C

PERFORMANCE PLOTS

