

16-WAY POWER DIVIDER

CONNECTORIZED MODEL: DPK1100S

WIDE BANDWIDTH

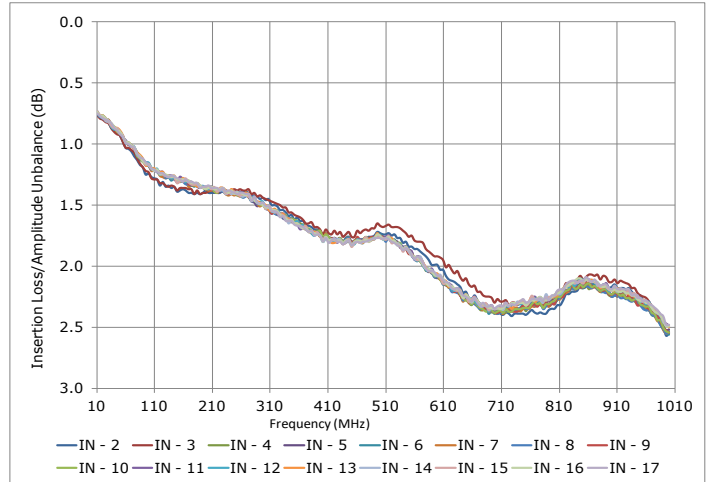
10 - 1000 MHz

FEATURES:

- ▶ Excellent Performance
- ▶ Wide Bandwidth
- ▶ Lead Free RoHS Compliant

APPLICATIONS:

- ▶ Signal Splitting & Low Power Combining



SPECIFICATIONS

Frequency	10 - 1000 MHz		
Insertion Loss (dB) *	Freq. (MHz)	Typ.	Max.
	10 - 100	1.25	1.7
	100 - 500	1.75	2.1
	500 -1000	2.5	2.8
Isolation (dB)	Freq. (MHz)	Typ.	Min.
	10 - 100	23	20
	100 - 500	17	14
	500 -1000	17	14
Phase Unbalance(Deg.)	Freq. (MHz)	Typ.	Max.
	10 - 100	0.3	1.0
	100 - 500	1.0	4.0
	500 -1000	2.0	6.0

Amplitude Unbalance (dB)	Freq. (MHz)	Typ.	Max.
	10 - 100	0.05	0.3
	100 - 500	0.1	0.5
	500 -1000	0.3	1.2
Input Power **	1 Watt (Max.)		
VSWR	Input	Output	
	1.4:1 (Typ.)	1.18:1 (Typ.)	
Impedance	50 Ohms (Nom.)		
Operating Temperature Range	-40 to +85 °C		
* Above 12 dB theoretical split loss. ** Handling power applies to splitter mode and assumes ideal 50 Ohms impedance matching on all ports.			

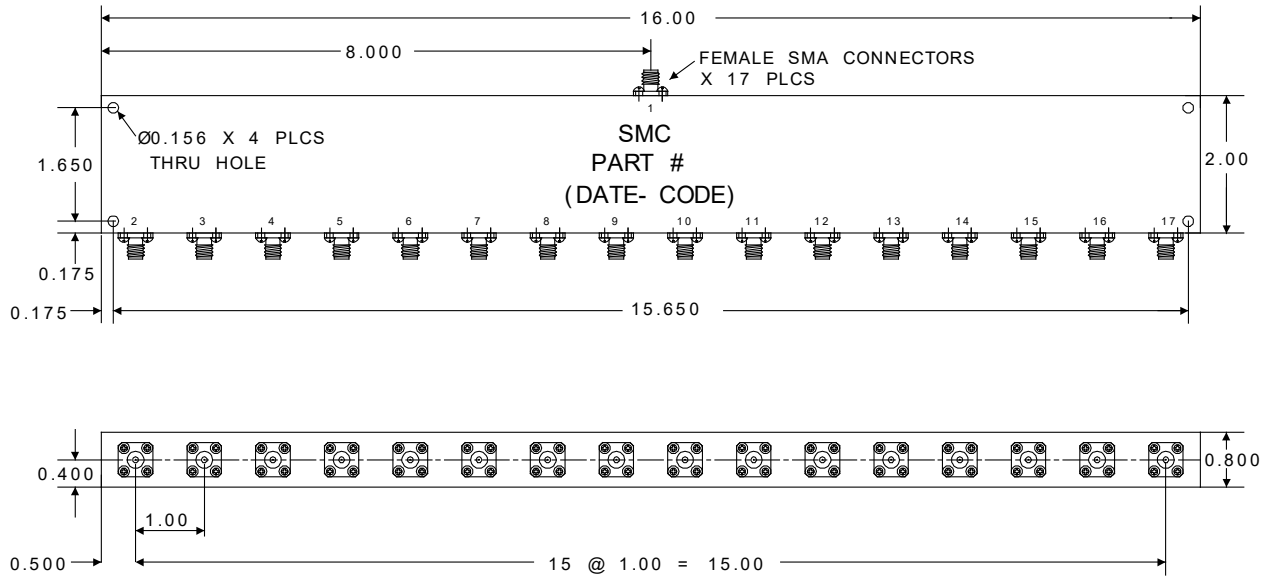
16-WAY POWER DIVIDER

CONNECTORIZED MODEL: DPK1100S

WIDE BANDWIDTH

10 - 1000 MHz

Package # 353S



Connector Type: SMA Female

PORT CONFIGURATION	
Input	Output
1	2 - 17



16-WAY POWER DIVIDER

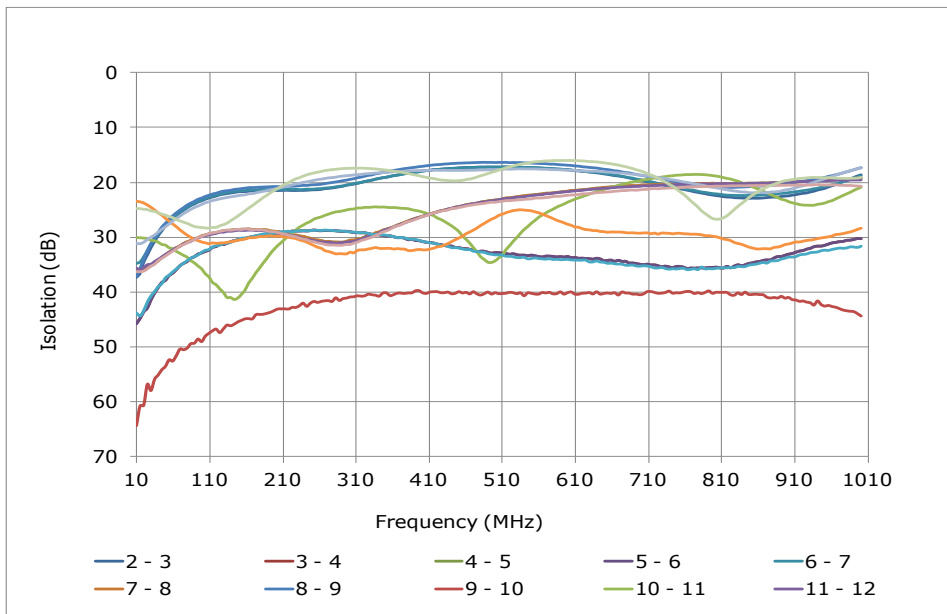
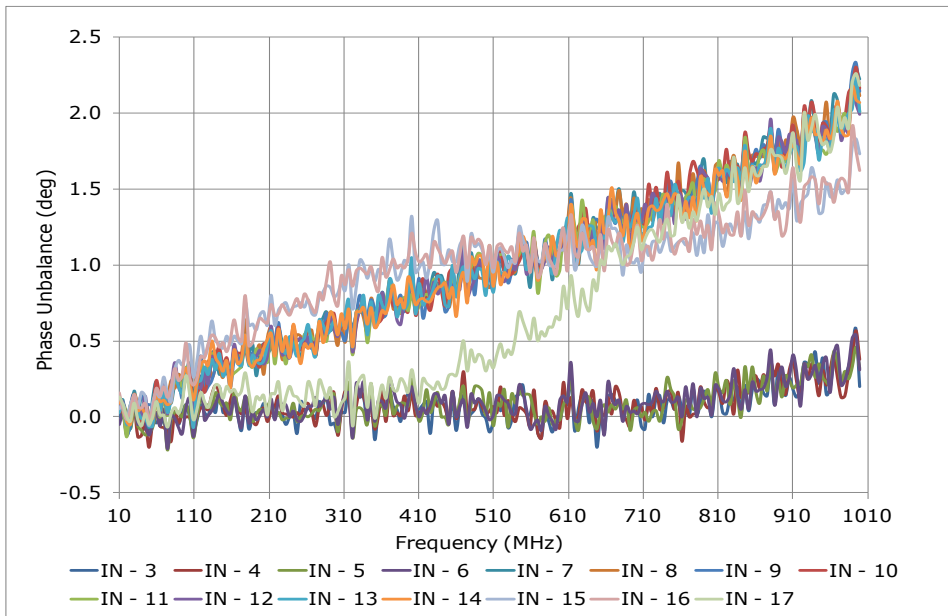
CONNECTORIZED MODEL: DPK1100S

WIDE BANDWIDTH

10 - 1000 MHz

DATA @ 25°C

PERFORMANCE PLOTS



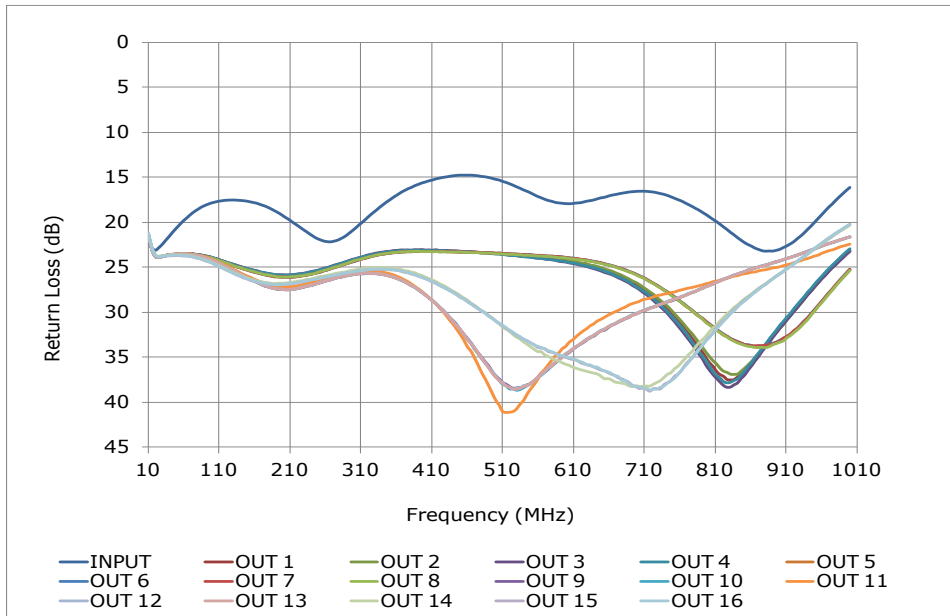
16-WAY POWER DIVIDER

CONNECTORIZED MODEL: DPK1100S

WIDE BANDWIDTH

10 - 1000 MHz

DATA @ 25°C



PERFORMANCE PLOTS

