

PHASE SHIFTER

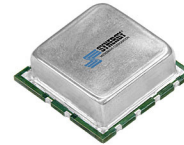
SURFACE MOUNT MODEL: PS-923

OCTAVE BANDWIDTH

100 - 200 MHz

FEATURES:

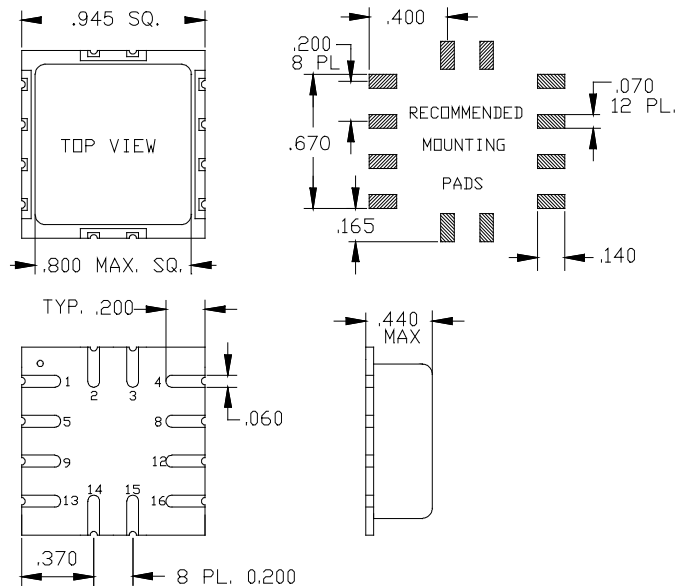
- ▶ Over 180° of Phase Shift
- ▶ Low Tuning Voltage
- ▶ Excellent Performance
- ▶ Low VSWR
- ▶ High Efficiency



SPECIFICATIONS (Rev. A 01/17/14)

Frequency	100 - 200 MHz	
Insertion Loss (dB)	Typ.	Max.
	1.5	2.0
Control Bandwidth	DC to 50 kHz (Min.)	
Control Voltage	0 - 12 Volts	
Phase Shift	180° (Min.)	
VSWR	Typ.	Max.
	1.5:1	1.7:1
Input Power	0 dBm (Max.)	
Impedance	50 Ohms (Nom.)	
Operating Temperature Range	-40 to +85 °C	

Package # 124S



PORT CONFIGURATION

Input	Output	Control	Case GND
1	13	4	All Others

Absolute Maximum Ratings

Storage Temp. Range	-55 to +100 °C
RF Input Power	20 dBm
Control Voltage	+25 V

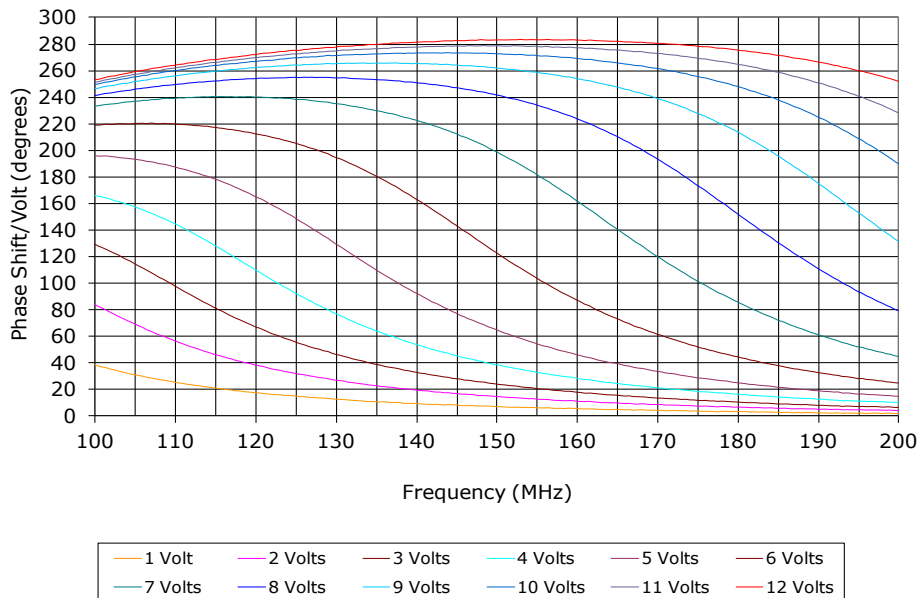
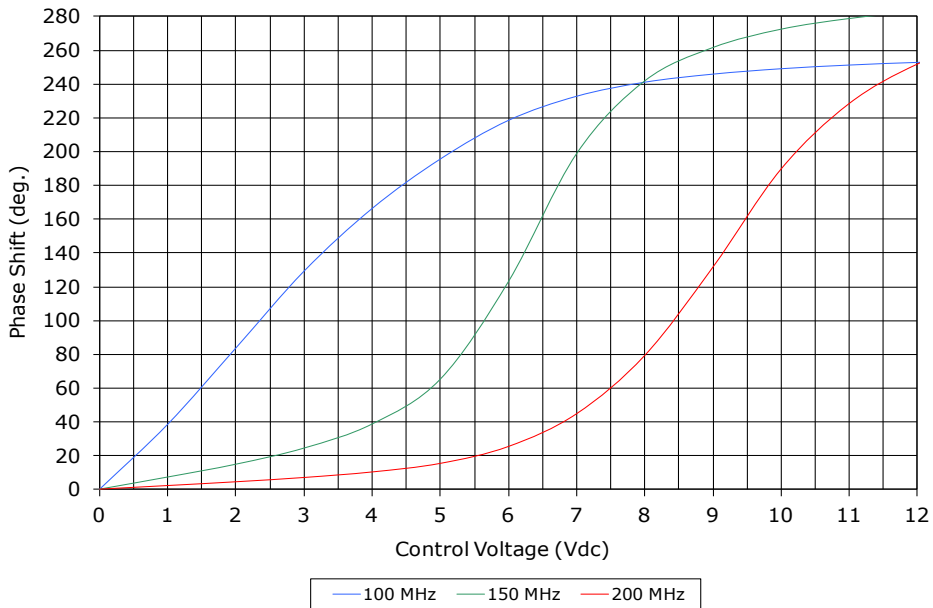
PHASE SHIFTER

SURFACE MOUNT MODEL: PS-923

OCTAVE BANDWIDTH

100 - 200 MHz

PERFORMANCE PLOTS



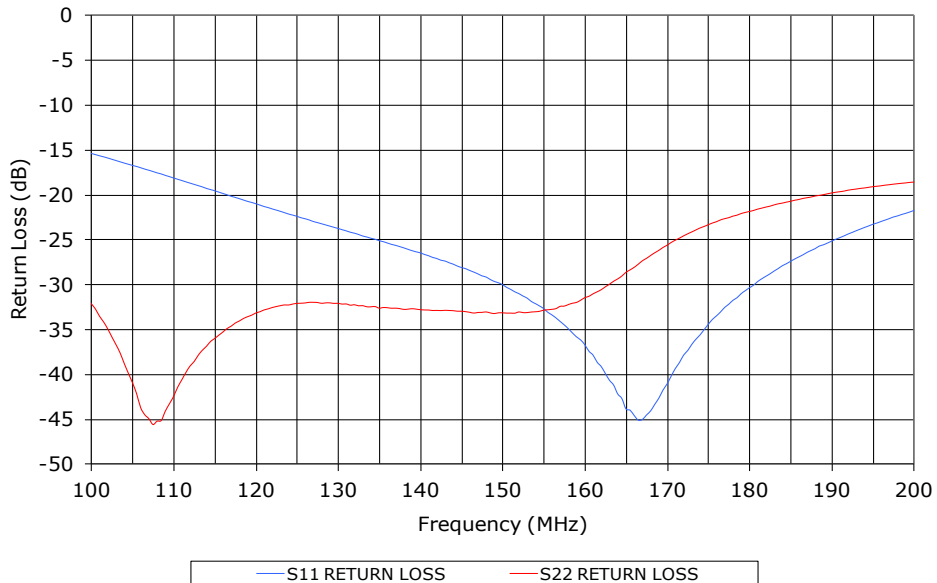
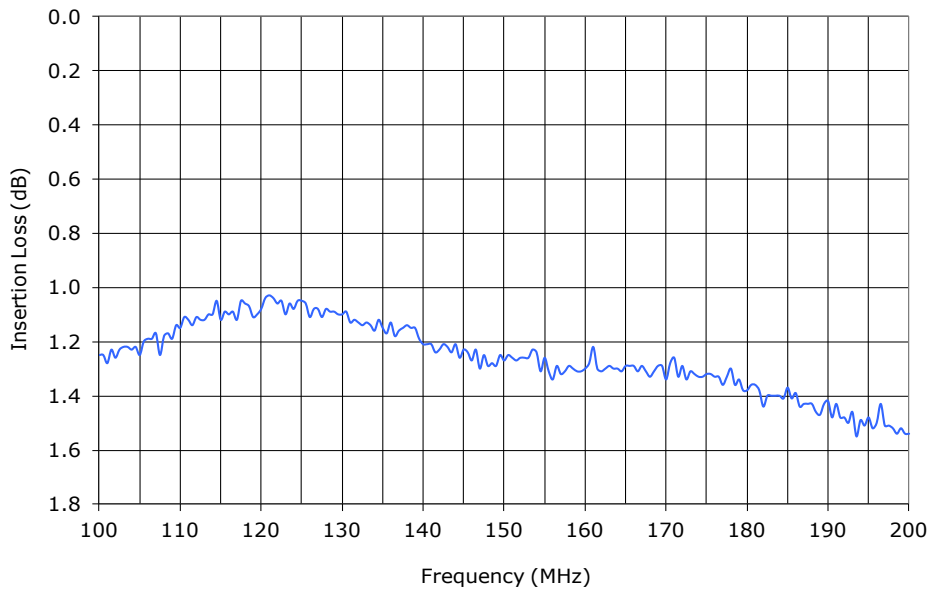
PHASE SHIFTER

SURFACE MOUNT MODEL: PS-923

OCTAVE BANDWIDTH

100 - 200 MHz

PERFORMANCE PLOTS



— S11 RETURN LOSS — S22 RETURN LOSS