

DIRECTIONAL COUPLER

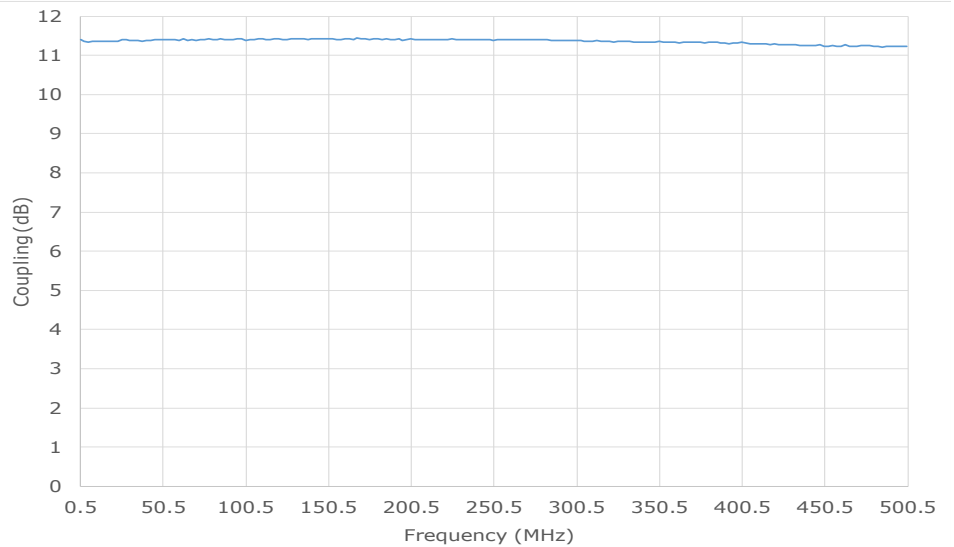
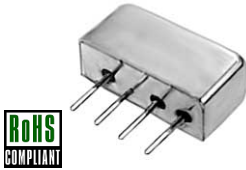
PLUG-IN MODEL: KBP-303

WIDE BANDWIDTH

0.5 - 500 MHz

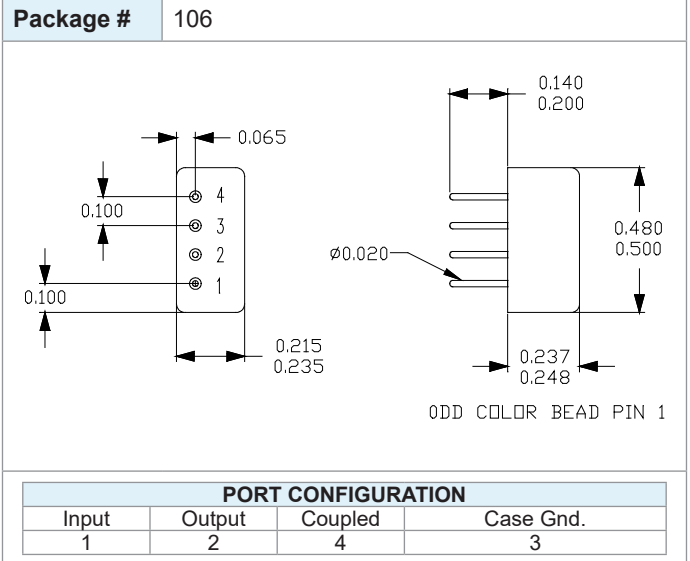
FEATURES:

- ▶ Wide Bandwidth
- ▶ Small Size, Mini-Relay Package
- ▶ Applications
 - Signal Monitoring
 - Signal Splitting



SPECIFICATIONS

Frequency	0.5 - 500 MHz		
Coupling (dB)	11.0 (±1.0) Nom.		
Coupling Flatness (dB)	±0.7 (Max.)		
Mainline Loss	Freq. (MHz)	dB (Typ.)	dB (Max.)
	0.5 - 5	0.75	1.2
	5 - 250	0.85	1.2
	250 - 500	1.1	1.4
Directivity	Freq. (MHz)	dB (Typ.)	dB (Min.)
	0.5 - 5	25	20
	5 - 250	28	18
	250 - 500	16	14
Input Power	1 Watt (Max.)		
Output Impedance	50 Ohms (Nom.)		
VSWR	1.4:1 (Typ.)		
Operating Temperature Range	-55 to +85°C		
Storage Temperature Range	-57 to +100°C		

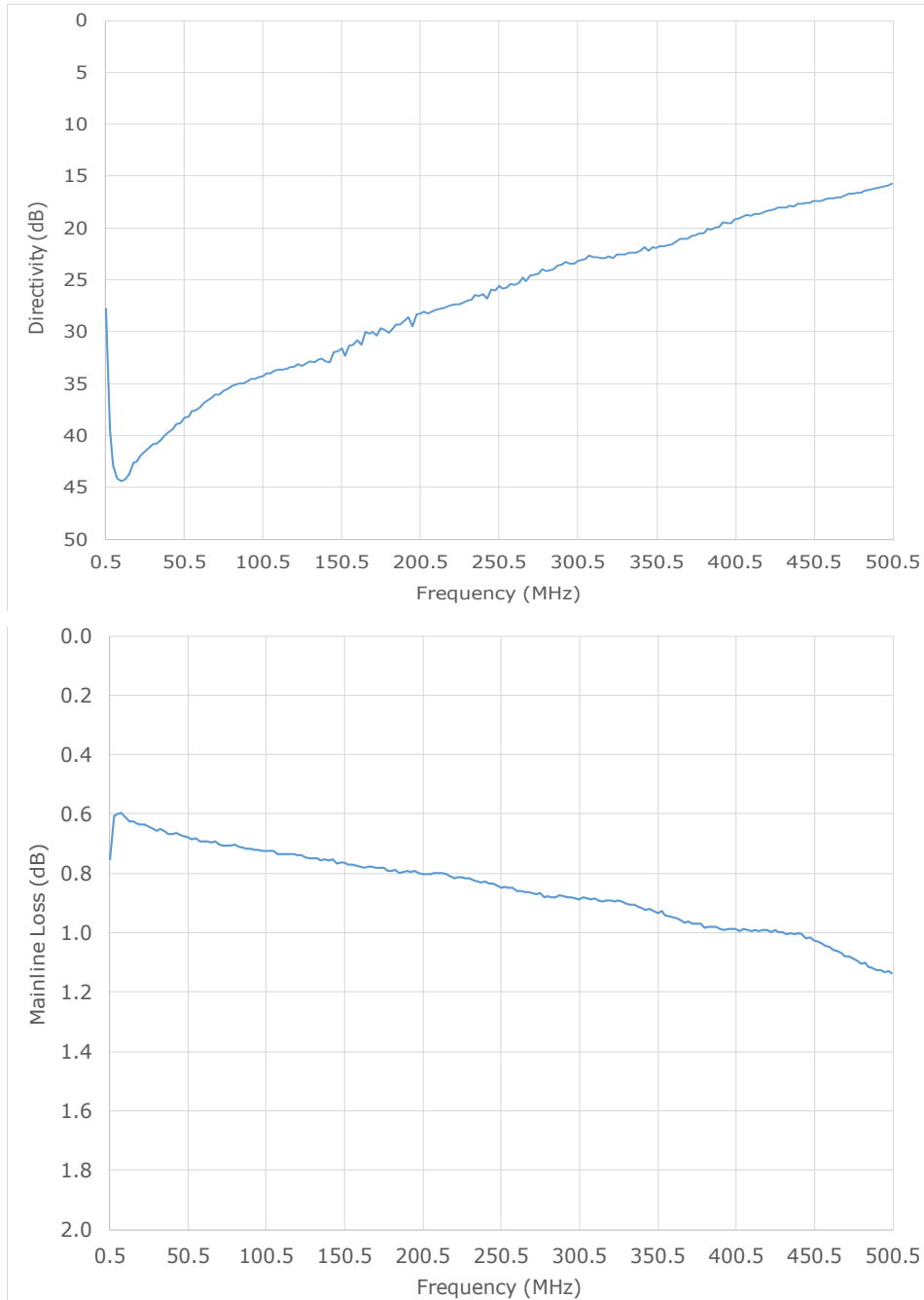


DIRECTIONAL COUPLER PLUG-IN MODEL: KBP-303

WIDE BANDWIDTH

0.5 - 500 MHz

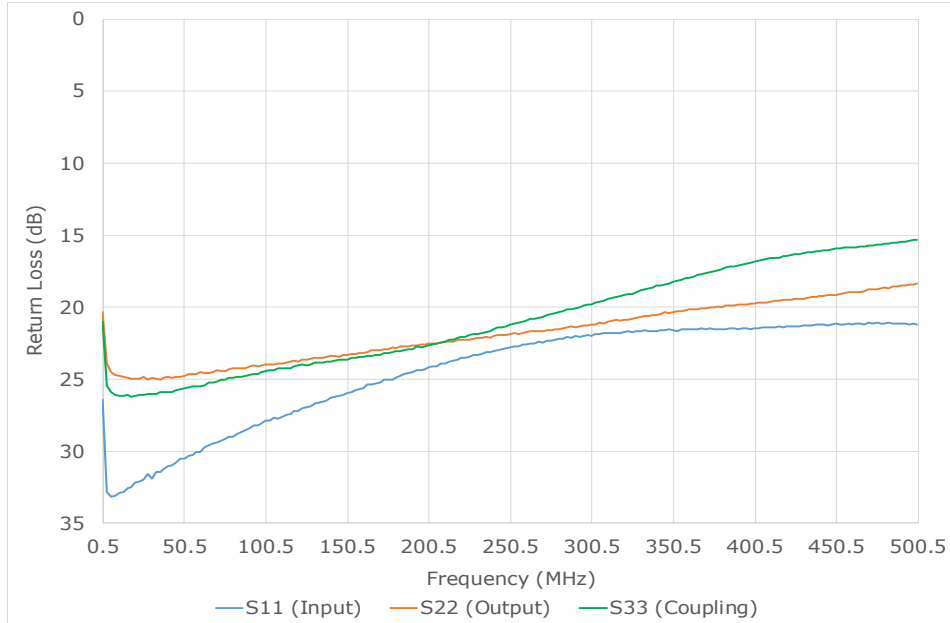
PERFORMANCE PLOTS



DIRECTIONAL COUPLER PLUG-IN MODEL: KBP-303

WIDE BANDWIDTH

0.5 - 500 MHz



PERFORMANCE PLOTS