

DIRECTIONAL COUPLER

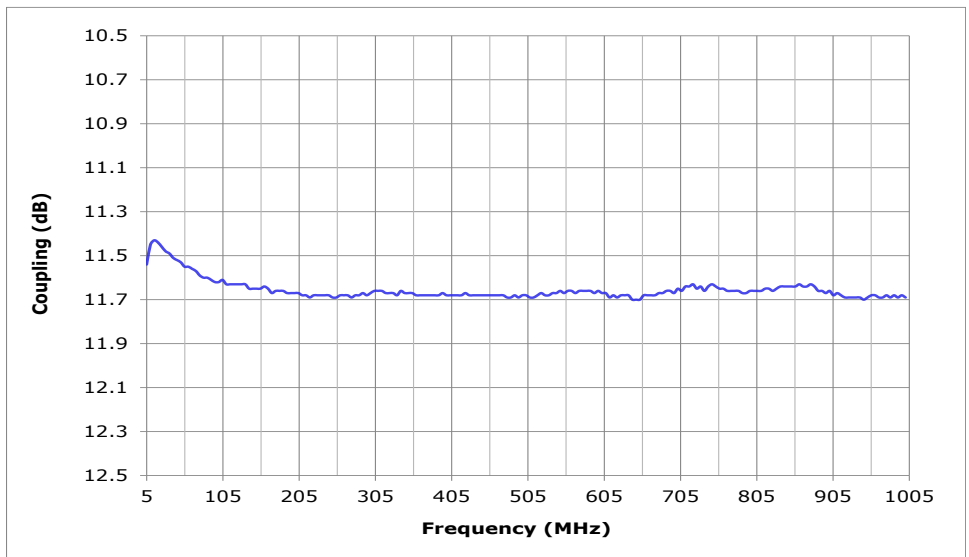
PLUG-IN MODEL: KBP-314

WIDE BANDWIDTH

5 - 1000 MHz

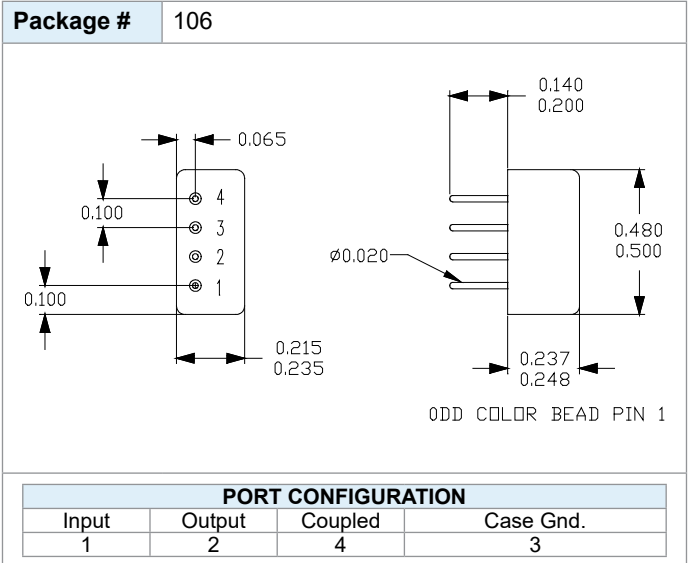
FEATURES:

- ▶ Wide Bandwidth
- ▶ Small Size, Mini-Relay Package
- ▶ Applications
 - Signal Monitoring
 - Signal Splitting



SPECIFICATIONS (Rev. A 10/30/20)

Frequency	5 - 1000 MHz		
Coupling	11 dB \pm 0.5 dB (Nom.)		
Coupling Flatness	\pm 0.6 dB (Max.)		
Mainline Loss	Freq. (MHz)	dB (Typ.)	dB (Max.)
	5-50	1.4	1.8
	50-500	1.5	1.8
	500-1000	1.6	2.0
Directivity	Freq. (MHz)	dB (Typ.)	dB (Min.)
	5-50	35	25
	50-500	25	20
	500-1000	20	14
Input Power	1 Watt (Max.)		
Output Impedance	50 Ohms (Nom.)		
VSWR	1.5:1 (Typ.)		
Operating Temperature Range	-55 to +85°C		

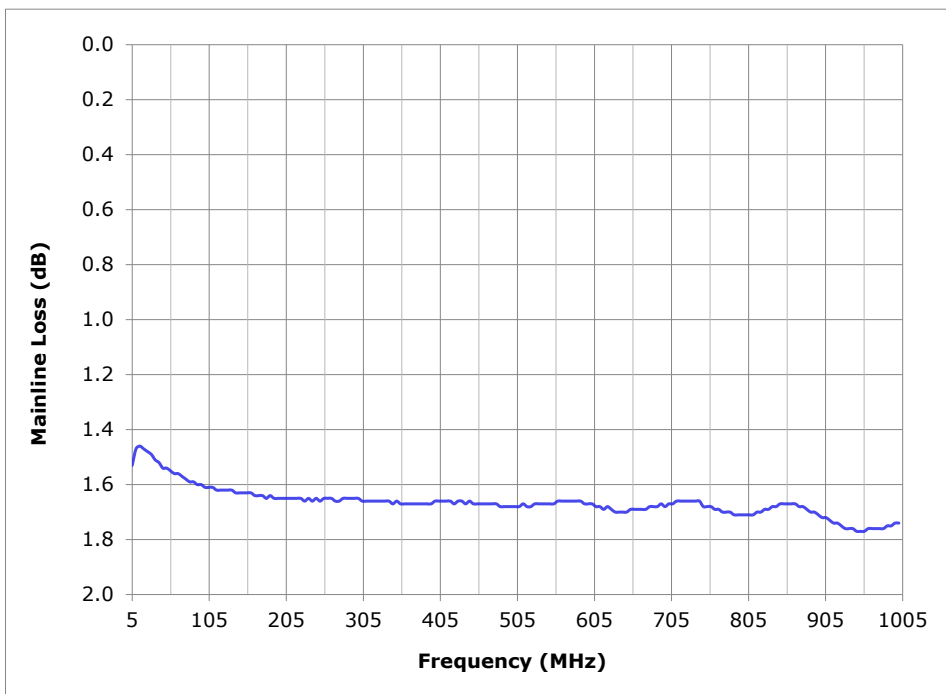
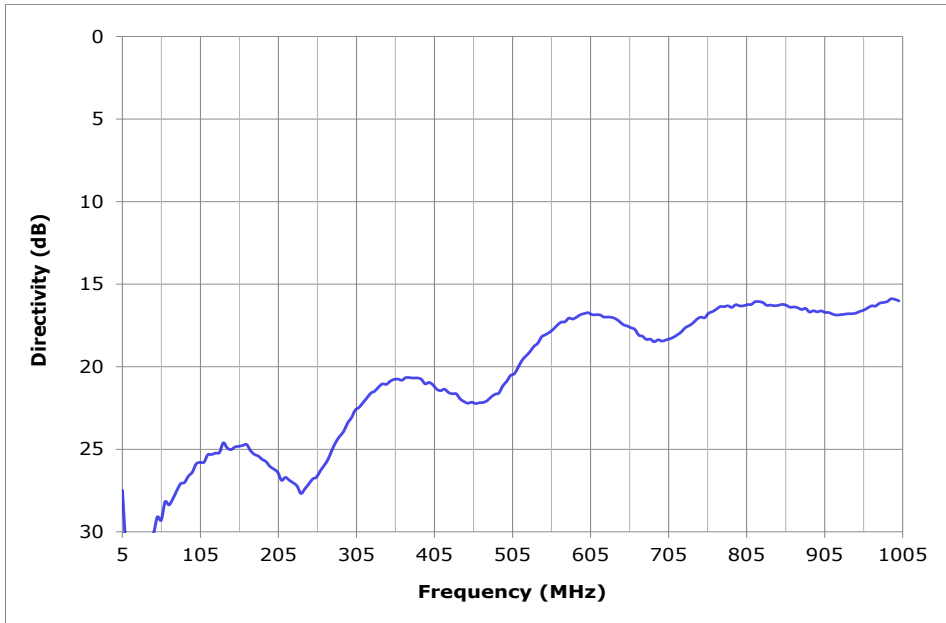


DIRECTIONAL COUPLER PLUG-IN MODEL: KBP-314

WIDE BANDWIDTH

5 - 1000 MHz

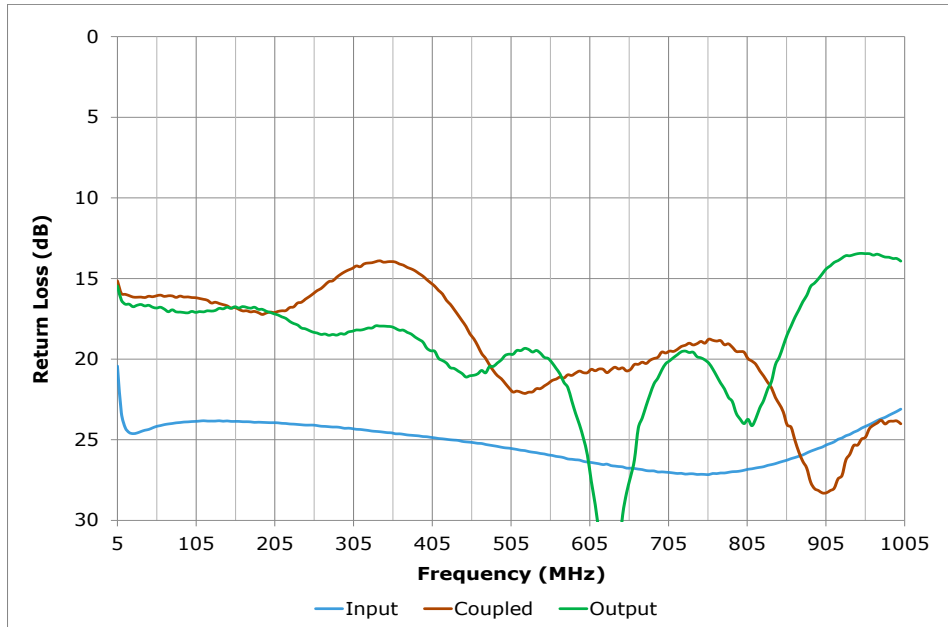
PERFORMANCE PLOTS



DIRECTIONAL COUPLER PLUG-IN MODEL: KBP-314

WIDE BANDWIDTH

5 - 1000 MHz



PERFORMANCE PLOTS

