

QUADRATURE HYBRID MODEL DQP-202

WIDE BANDWIDTH

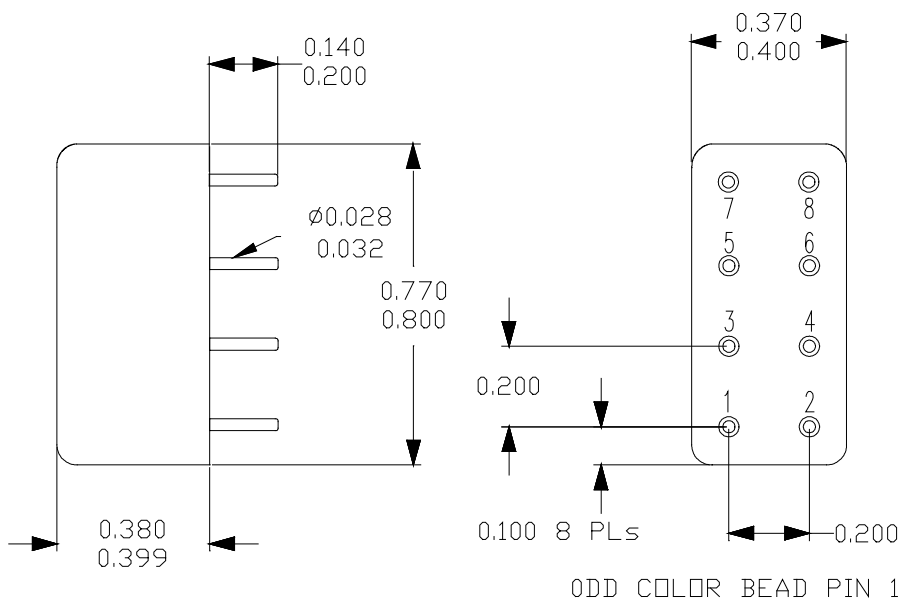
40 - 80 MHz

SPECIFICATIONS

Operating Frequency:	40 - 80 MHz	Phase Unbalance:	1° (Typ)/ 3° (Max)
Insertion Loss:	0.3 dB (Typ)/0.6 dB (Max)	VSWR :	1.1:1 (Typ.)
Isolation:	25 dB (Typ)/20 dB (Min)	Power Rating:	1 Watt (Max)
Amplitude Unbalance:	0.4 dB (Typ)/0.75 dB (Max)	Impedance:	50 Ohms
		Operating Temp. Range:	-55° to +100°C



MECHANICAL OUTLINE: 102



QUADRATURE HYBRID MODEL DQP-202

WIDE BANDWIDTH

40 - 80 MHz

PERFORMANCE PLOTS

